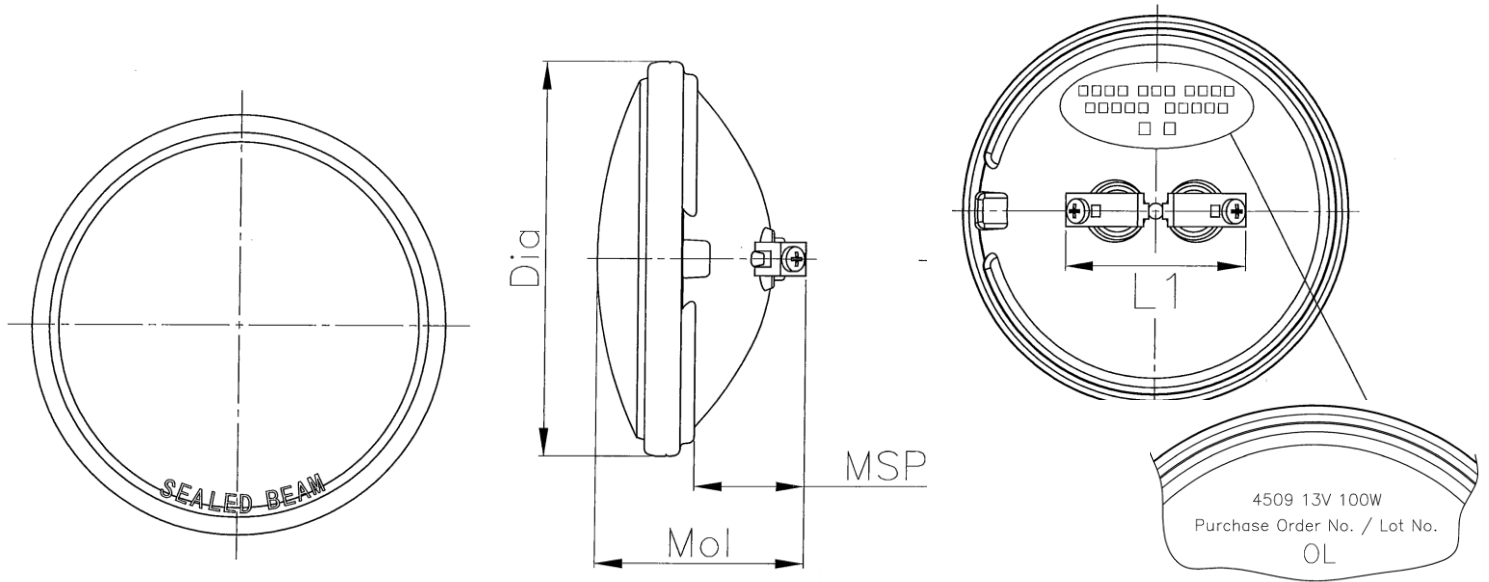


### 4509 PAR 36 Sealed Beam Lamp



	Dia	Mol	MSP	L1 (mm)
SIZE	$\phi 112 \pm 1.27$	70.0MAX	41.0MAX	$52.0 \pm 4.0$

Specifications	
Design Voltage [V]	13
Wattage [W]	100
MSCP	41.0
AIPBCP	100,000Cd
Filament	C-6
Beam Spread	11 x 6 degrees
Base	CR-2 (2 Screw Terminals)