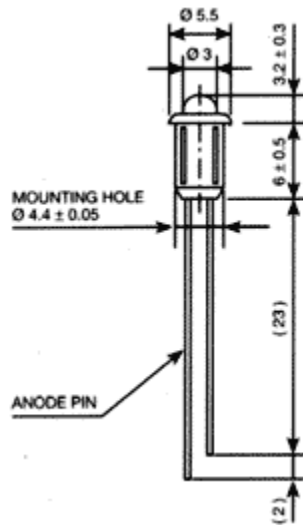


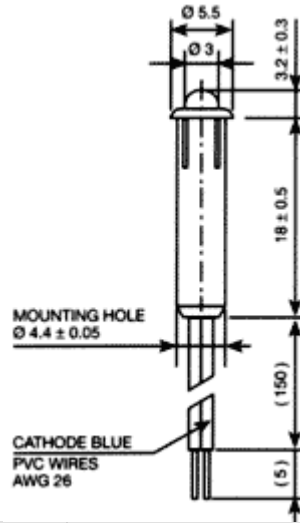
MD-300 Series Indicator Light

LED indicator with ribbed nylon body for easy front panel mounting. Recommended mounting hole diameter 4.4 mm; panel thickness 1 - 2 mm. Available in red, yellow, green, blue, white.

MD302X



MD323X/325X



P/N	Voltage	Current	Terminals
MD-302 R	VF=2.1 V	-	min. 20 mm pins, without resistor
MD-323 R	VF=2.1 V	-	150 mm PVC leads *, AWG 26, without resistor, cathode lead = blue
MD-325 R1	5 - 6 V	14 - 20 mA	150 mm PVC leads *, AWG 26, green lead, cathode lead = blue
MD-325 R2	12 - 14 V	12 - 16 mA	150 mm PVC leads *, AWG 26, red lead, cathode lead = blue
MD-325 R3	24 - 28 V	12 - 16 mA	150 mm PVC leads *, AWG 26, black lead, cathode lead = blue

- Wavelength 700nm
- Chip Type GaP
- Forward Current Max. - 25mA
- Reverse Voltage Max. - 4V
- MSCD at 15mA -6
- Operating Temperature: -25 + 80 °C
- Storage Temperature: -30 +85 °C
- All dimensions are in millimeters.
- Tolerance is ± 0.25 mm unless otherwise noted.
- For special lead length add suffix -Lxxx (xxx length in mm) to standard P/N.