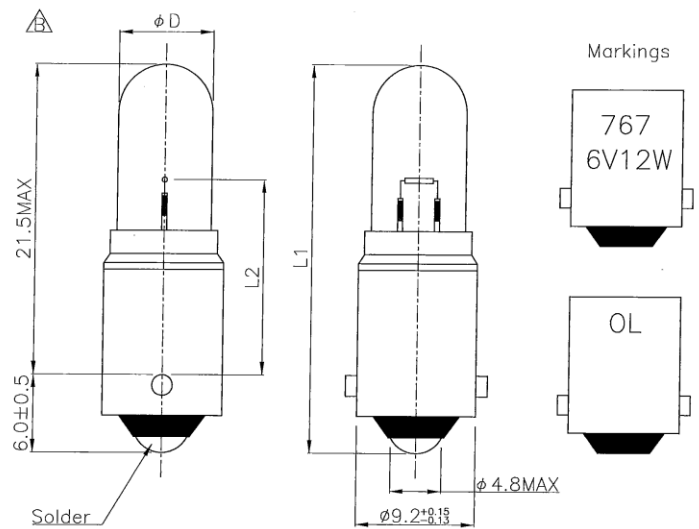
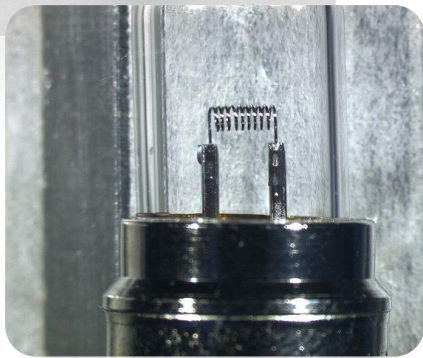


OL767 T-2 ¼, BA9s Xenon Lamp - Exterior Emergency Lamp

- **737-800** Escape slide, over wing escape, exterior emergency lighting.
- **777-200/300** Passenger compartment slide light, exterior emergency lighting.



	ϕD	L1 (mm)	L2 (mm)
SIZE	7.1MAX	28.0MAX	14.4±0.75

Specifications: per ANSI-SR25D1997	
Design Voltage [V]	6
Amps [A]	2
MSCP	19
Watts [W]	12
Base	BA9s
Filament	C-6