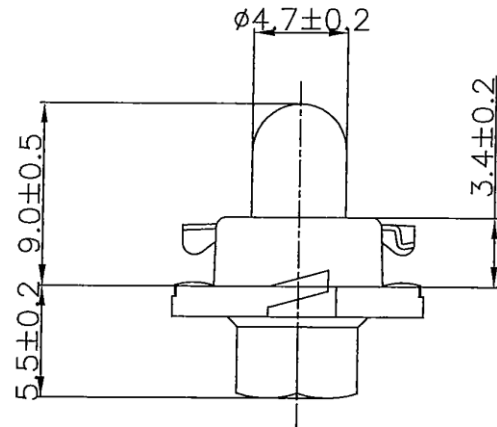


# Fuel Pump Dispenser Lamps

Oshino brand lamps are manufactured by Oshino Lamps, Ltd. We are the manufacturer! We understand OEMs and market demands to produce high-quality, durable, reliable miniature and subminiature lamps for fuel dispenser pumps.

Oshino Lamps America is your support center for lamps for Gilbarco Veeder-Root fuel dispensers.

- **OL5078PCB-001988:** 6.3V, 180mA, .4 MSCP. Low profile bulb at 8.5 base to bulb top. 14.0 mm max overall height. For model G500.
- **OL5024PCB-T9036:** 6.3V, 200mA, .55 MSCP. Overall height 14.5 mm. For Model G300.
- **OL5025PCB:** 12V, 60mA, .15 MSCP. Overall height 16.5 mm.
- T-1 ½ printed circuit board bayonet (Type C) double contact
- Fits PCB thickness 1.45 – 1.65 mm



## CUSTOMERS SERVED

- OEM
- Refurbish / repair
- Aftermarket

## THE OSHINO DIFFERENCE

- 100% process control
- Comprehensive technical, manufacturing and business support.
- Designs per customer and industry specifications.
- Earning and keeping your business is a privilege.

